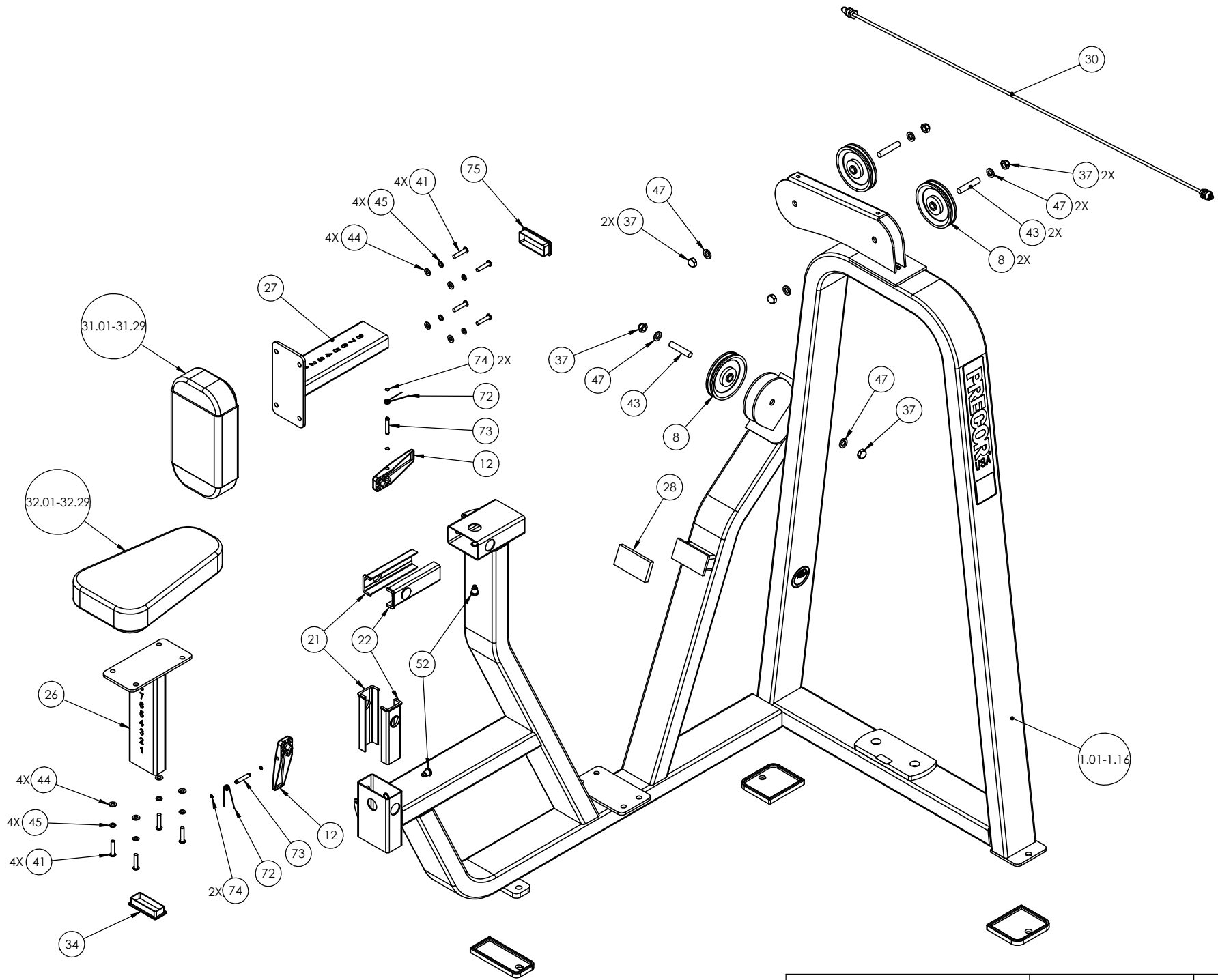
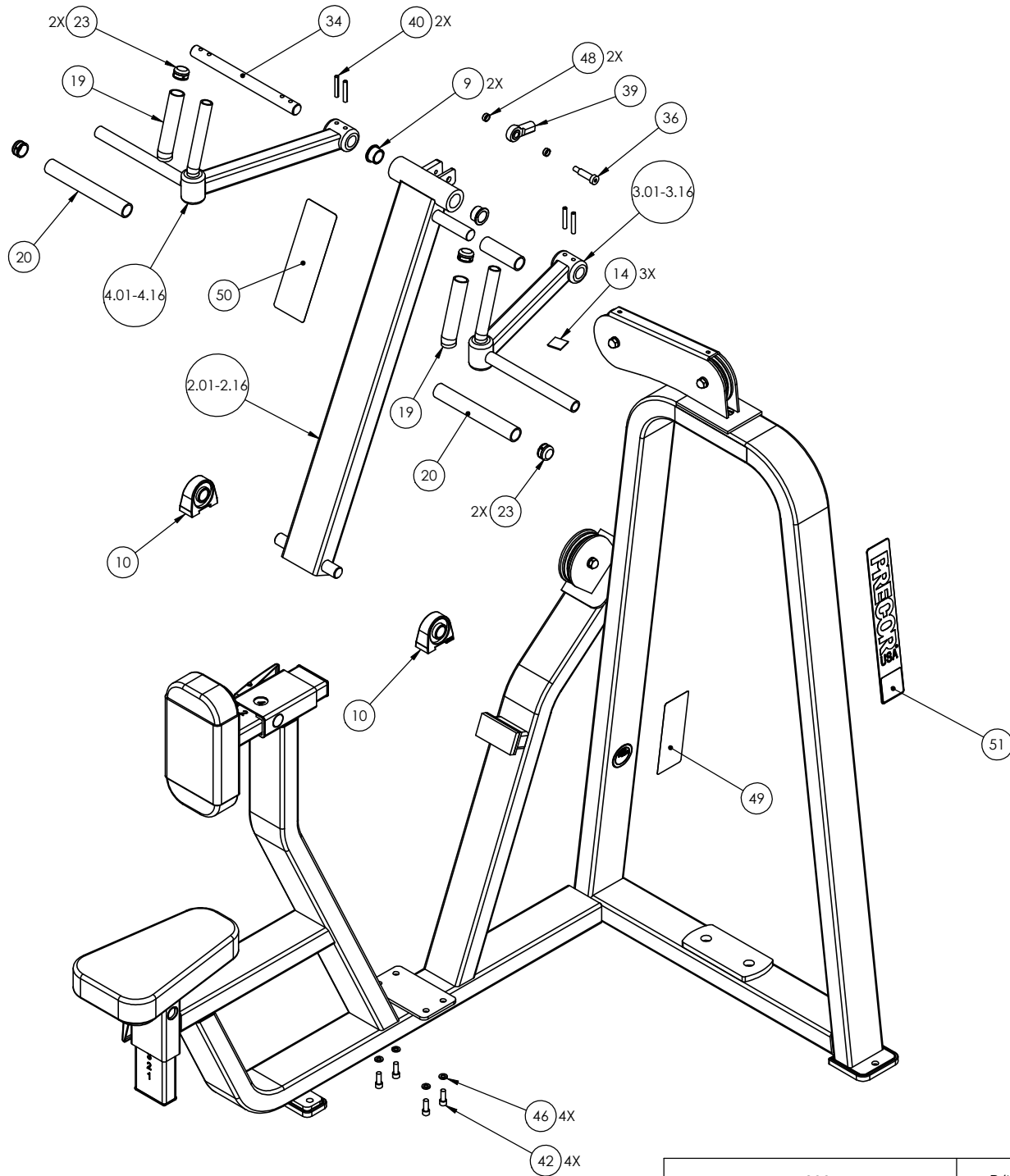


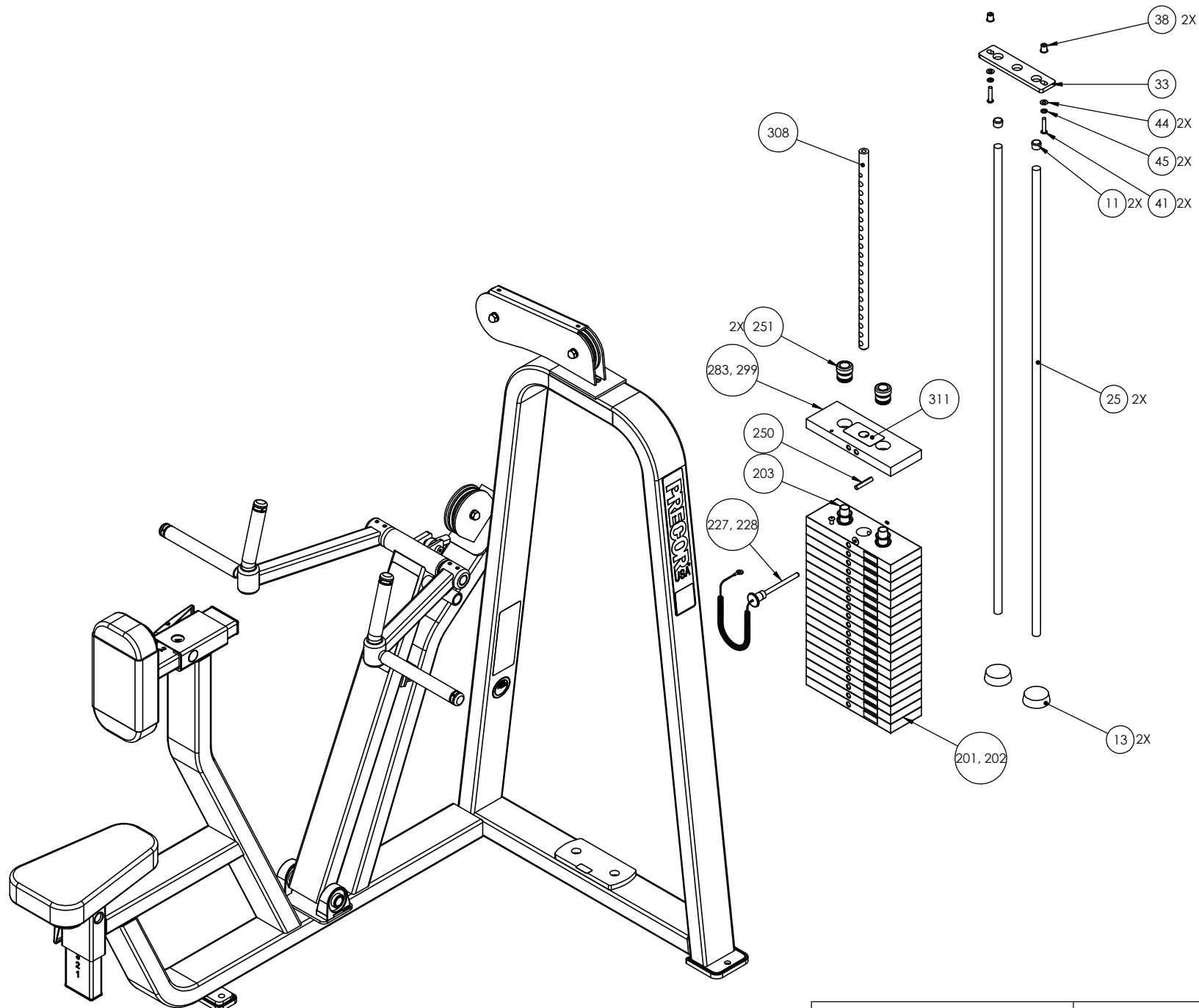
309	P/N : CW30934-102	SUBREV : B01
DRAWN BY : JEC	DATE : 01.18.07	SHEET 1 OF 4



309	P/N : CW30934-102	SUBREV : B01
DRAWN BY : JEC	DATE : 01.18.07	SHEET 2 OF 4



309	P/N : CW30934-102	SUBREV : B01
DRAWN BY : JEC	DATE : 01.18.07	SHEET 3 OF 4



- 38 2X
- 33
- 44 2X
- 45 2X
- 11 2X
- 41 2X
- 308
- 25 2X
- 251 2X
- 283, 299
- 311
- 250
- 203
- 227, 228
- 201, 202
- 13 2X

309	P/N : CW30934-102	SUBREV : B01
DRAWN BY : JEC	DATE : 01.18.07	SHEET 4 OF 4

309 Vertical Row

Part Number	Description	Bubble Number
CW309SA1-212	ASSY,FRAME,MAIN,309,SKY WHITE	1.01
CW309SA1-312	ASSY,FRAME,MAIN,309,STONE HG	1.11
CW309SA1-322	ASSY,FRAME,MAIN,309,TITANIUM HG	1.12
CW309SA2-211	ASSY, PIVOT ARM, 309,SKY WHITE	2.01
CW309SA2-311	ASSY, PIVOT ARM, 309,STONE HG	2.11
CW309SA2-321	ASSY, PIVOT ARM, 309,TITANIUM HG	2.12
CW309SA3-211	ASSY, ARM, RIGHT, 309,SKY WHITE	3.01
CW309SA3-311	ASSY, ARM, RIGHT, 309,STONE HG	3.11
CW309SA3-321	ASSY, ARM, RIGHT, 309,TITANIUM HG	3.12
CW309SA4-211	ASSY, ARM, LEFT, 309,SKY WHITE	4.01
CW309SA4-311	ASSY, ARM, LEFT, 309,STONE HG	4.11
CW309SA4-321	ASSY, ARM, LEFT, 309,TITANIUM HG	4.12
CW30031-101	LABEL,INSTRUCTION,309	5
CWAC1001-101	LABEL, "ICARIAN", 1 1/2 X 8 1/8	6
CWAC1002-101	LABEL, "ICARIAN", 3 X 16 3/8	7
CWAC1009-101	PULLEY, 4 1/2 DIA X 1/2 ID	8
CW10043-134	BUSHING, BRONZE, 1" ID X 1 1/4" OD	9
CW12406-101	PILLOW BLOCK, BEARING, 2 BOLT	10
CW12404-101	CAP, GUIDE ROD,DIA 3/4, BLK	11
CW32460-221	ASSY, RATCHETING LEVER, BLACK	12
CW12402-101	BUMPER, ID 1.050, BLK RUBBER	13
CW12575-101	MOULDED BUMPON, BLACK, 31.75MM SQ (14
CW34822-101	LABEL, "ASSEMBLED IN THE USA"	15
CWAC1164-101	LABEL, F.P.I. SERIAL NUMBER	16
CWAC1183-101	LABEL, WARNING, SERIOUS INJURY	17
CWGR2605-030	GRIP,RUBBER, 1" DIA, 5-1/32"	19
CWGR2609-000	GRIP,RUBBER, 1" DIA, 9"	20
CW33626-901	GUIDE, THIN, TELESCOPING TUBE	21
CW33626-902	GUIDE, THCK, TELESCOPING TUBE	22
CWAC218-901	HANDLE END CAP W/SET SCREWS, DIA 1"	24
CWPF1214-711	GUIDE ROD,STEEL,OD 3/4 X 52 5/8, CH	25
CW32535-711	ASSEMBLY, SEAT ADJUSTMENT, 8 HOLE,	26
CW32211-711	ASSEMBLY, BACKPAD ADJUSTMENT, 8 HOL	27
CW30014-205	CUT PIECE, CREPE, 3/8 THICK, 2.00 X	28
CWCLGP079-500	ASSY, CABLE, 309	30
CWPD1207A-101	PAD,5X9X14.5,4HOLES,BLACK	32.01
CWPF1016-732	BAR,,FLAT CR/HR, 3/8 X 2 X 8 1/4, 3	33
CWPF1284-731	BAR,STEEL, RND, DIA .995 X (12), 4	34
CWRANN038-150	BOLT, SHOULDER, 3/8-16 X 1/2 X 1 1/	36
CWKADLN050-081	NUT, ACORN, 1/2-13	37
CW12537-109	NUT,INSERT,THIN-NUT,LARGE FLANGE	38
CWCLFA1064-741	ROD END, FEMALE, STEEL, ZINC, CAD,	39
CWLDNN031-200	SLOTTED PIN SPRING, DIA 5/16 X 2.00	40
CWTAYN031-150	SCREW, BUTTON HEAD, BLK XYLAN, 5/16	41
CWCAYN038-100	SCREW, SOCKET HEAD, BLK XYLAN, 3/	42
CWBFNN050-250	STUD, 1/2-13 X 2 1/2	43
CWWBKN031-007	WASHER, FLAT, TYPE A, SAE, 5/16 ID	44
CWWALYN031-008	WASHER, SPLIT, 5/16 ID, BL	45

CWWALYN038-009	WASHER, SPLIT, 3/8 ID, BLK XYLAN	46
CWWALYN050-013	WASHER, SPLIT, 1/2 ID, BLK XYLAN	47
CWFA1124-901	SPACER, STEEL, 5/8 OD X 1/2 ID X 1/4	48
CW30031-101	LABEL, INSTRUCTION, 309	50
CW31756-101	LABEL, PRECOR USA ICARIAN LINE	51
CW31784-731	STOP PLUG, BLK ZN	52
CW12634-101	SPRING, TORSION 90 DEG X 0.484 X 0.	72
CW31770-742	LATCH PIVOTING PIN, CLR ZN	73
CWAMNN028-003	RING, RETAINING, 2-TURN, SPIRAL, SS	74
CWAC1133-101	BUSHING, WEIGHT PLATE, LDPE PLASTIC	203
CW33870-102	ASSEMBLY, 5" WEIGHT STACK PIN & LEA	227
CW33870-102	ASSEMBLY, 5" WEIGHT STACK PIN & LEA	228
CW30184-901	ASSY, BARREL, TOP PLATE, ALUMINUM	251
CW10519-721	PLATE, WEIGHT, 20 LBS, WRKL BLK	279
CW10535-722	PLATE, WEIGHT, SMALLTOP (STP-S), 0	281
CW33261-101	LABELS, WEIGHT STACK, 200 LBS, 20-200	399
CW33273-101	LABELS, WEIGHT STACK, 280 LBS, 20-280	399
CW12537-109	NUT, INSERT, THIN-NUT, LARGE FLANGE	400
CWKAYN031-025	LOCKNUT, NYLON INSERT, HALF, UNC,	402
CWPF2307-721	BAR, FLAT 3/16 X 1 X (23 3/4), 4 BE	403
CWPF3143-211	SHROUD, SHEET, STEEL, 4 BENDS, SKY WHI	404.01
CWPF3143-221	SHROUD, SHEET, STEEL, 3/32 THICK, 4 BEN	404.02
CWPF3143-311	SHROUD, SHEET, STEEL, 3/32 THICK, 4 BEN	404.11
CWPF3143-321	SHROUD, SHEET, STEEL, 4 BENDS, TITANIU	404.12
CWPF3143-351	SHROUD, SHEET, STEEL, 3/32 THICK, 4 BEN	404.15
CWPF3143-361	SHROUD, SHEET, STEEL, 3/32 THICK, 4 BEN	404.16
CWPF3143-711	SHROUD, SHEET, STEEL, 3/32 THICK, 4 BEN	404.17
CWPF3144-721	SHROUD BRKT, PLATE, STEEL, 1/8 THICK, 1	405
CWTAYN031-100	SCREW, BUTTON HEAD, BLK XYLAN, 5/16	406
CWWALYN031-008	WASHER, SPLIT, 5/16 ID, BL	407
CWWBKN031-007	WASHER, FLAT, TYPE A, SAE, 5/16 ID	408
CWAC1177-101	FLOOR PROTECTOR, RUBBER, 4.563 X 4.	501
CWAC1178-101	FLOOR PROTECTOR, RUBBER, 2.563 X 6.	502